

TRACK MOUNTED ACCESS PLATFORMS



SPECIFICATION TRACCESS 230

TECHNICAL DATA

- Articulated boom (two elements) telescopic boom (main boom + 2 extension) + jib
- Sigma boom movement enabled by connecting rods
- 360° non continuous turret rotation on bearing turntable
- Proportional electro-hydraulic controls in basket
- Engine start and stop controls from basket
- Basket base in composite material with aluminium guardrails (1300 x 700 x 1100)
- 90° right + 90° left hydraulic basket rotation
- Basket load sensing device
- Radio remote control
- Dual drive speed
- Narrow jacking facility
- Extending width tracks
- 230V 2.2 kW electric auxiliary motor
- 15 HP HONDA petrol engine
- Automatic hydraulically actioned basket levelling
- N° 4 hydraulic outriggers with ground pressure sensors
- Hour meter
- 230 V AC EC electrical socket in the basket
- Standard boom colours blue (RAL 5017) or white (RAL 9010)
- CE certified
- Gradeability approximately 31%
- Electro-hydraulic steering from the ground with radio control
- Drive speed max 2 km/h
- 4 stabilization areas with hydraulic placement

PERFORMANCE

Working height	23 m
Platform height	21,0 m
Working outreach	12 m
Capacity	200 kg
Basket dim.	1300x700x1100 mm
Closed dimensions (transit)	780x1998x5285 mm
Unit weight	2900 kg



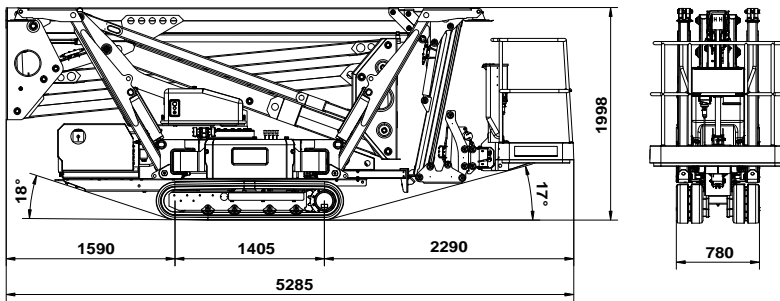
ENGLISH



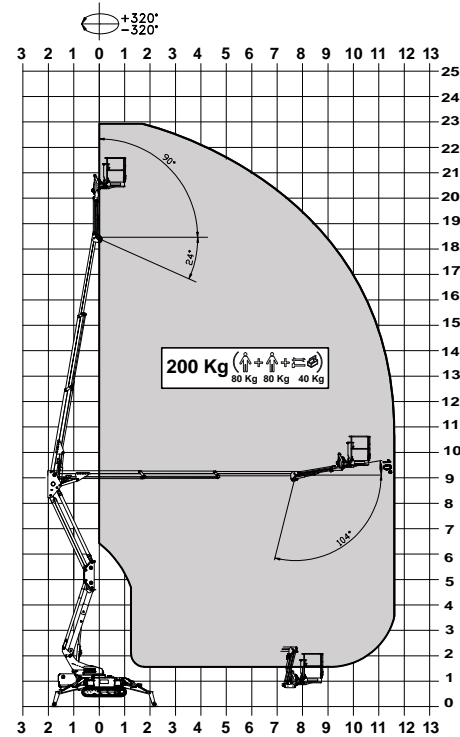
TECHNICAL DETAILS

- 2 x Safety Harness hooking locations on the platform
- Emergency push button
- Emergency manual pump
- Outriggers/boom interlocking facility
- Cylinders with safety non-return valves
- Intermittent buzzer for traverse and turnable rotation
- Active track braking system automatically applied in stationary mode
- Instructions & Maintenance Manual

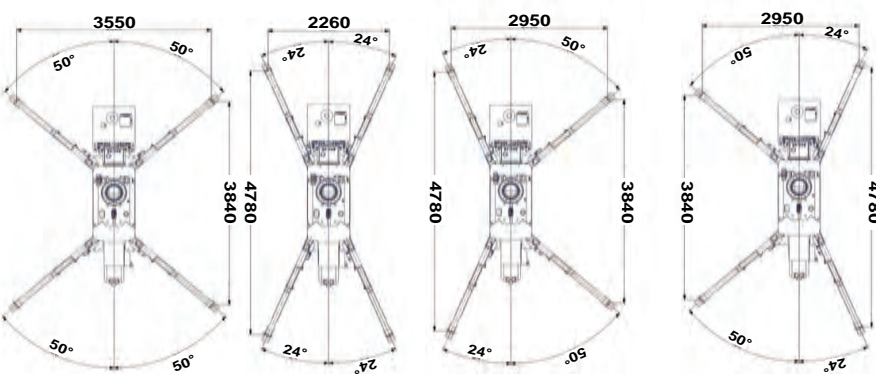
PLATFORM DIMENSIONS



WORKING AREA



STABILIZATION



KEY POINTS

2,1 mt jib with a working angle of +10°

One control panel for all locations (in the turret, radio control, basket)

Autoloading on motor vehicle

4 areas of stabilisation

Basket rotation 90°+90°

Stabilization with hydraulic extension

Digital self-diagnostic for fault checks

Automatic stabilisation



Product specifications are subject to change without notice or obligation. Technical features and drawings in this brochure are for illustrative purposes only. _TRACCESS_230_ed 06/11_en



CTE S.p.A.

Headquarter and Factory - Rovereto (Tn): via Caproni, 7
ph. +39 0464.48.50.50 - fax +39 0464.48.50.99

Factory - Bertinoro (Fc): viale 2 Agosto, 670
ph. +39 0543.44.88.30 - fax +39 0543.44.83.43

e-mail: info@ctelift.com

CTE UK Ltd - Enderby Leicestershire - UK
CTE FRANCE Sas - Achères - Saint Clair du Rhone - France



www.ctelift.com